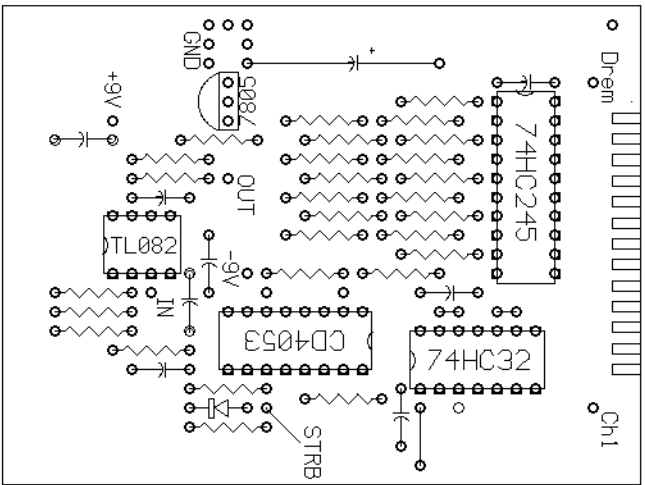
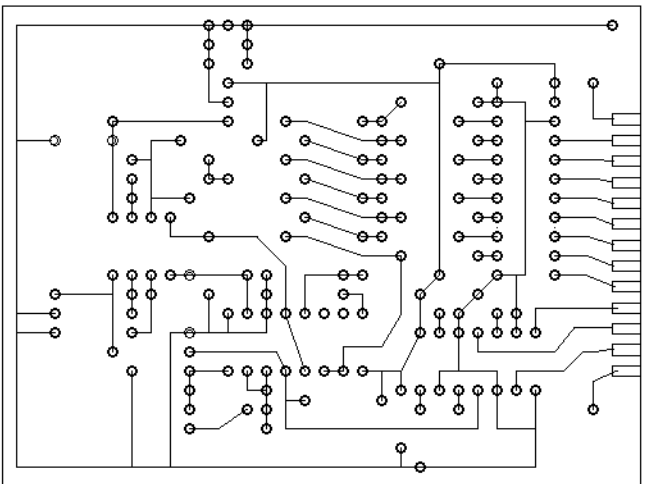


TOP VIEW - COMPONENT / HOLES



TOP VIEW - XRAY / HOLES

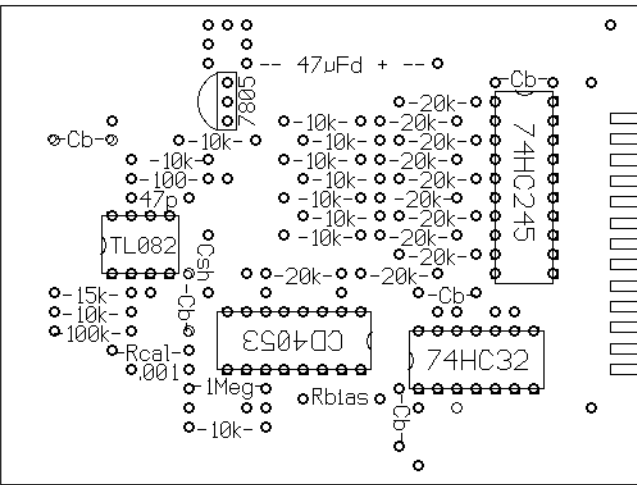


DAQARTA LPTX MUX BOARD

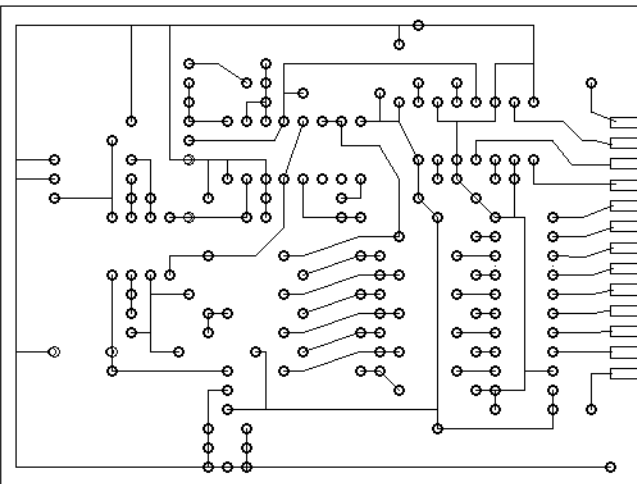
NOTE CHIP ORIENTATIONS !  
 ALL 10k and 20k = 1% METAL FILM  
 Rcal = 10k  
 Rbias TYPICALLY ~68k  
 Csh TYPICALLY 0.001 to 0.010 uFd  
 Cb = 0.047 to 0.10 uFd CERAMIC  
 STRB wired to DB25 pin 17  
 DB25 pins 18-25 wired to GND  
 Uses DUAL 9V BATTERIES  
 7805 = 78L05 (5V, 100 mA)

R. I. MASTA 1-8-98

TOP VIEW - COMPONENT VALUES



BOTTOM VIEW - TRACE LINES



BOTTOM VIEW - COPPER

